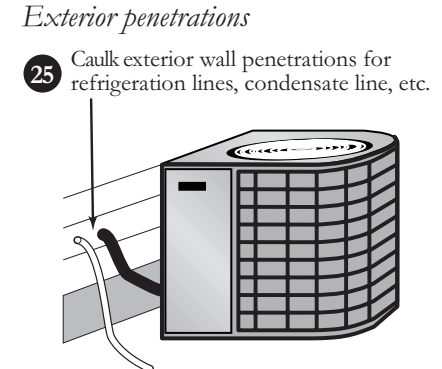
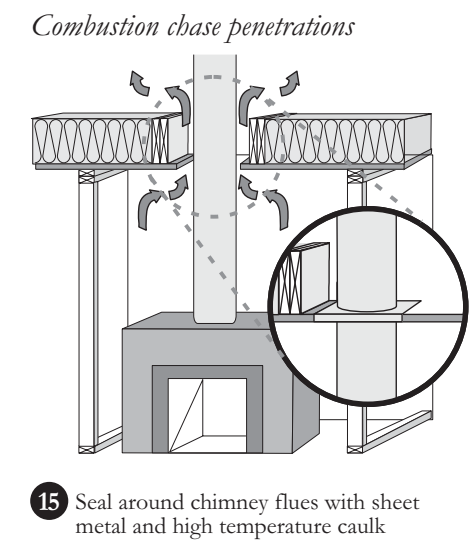
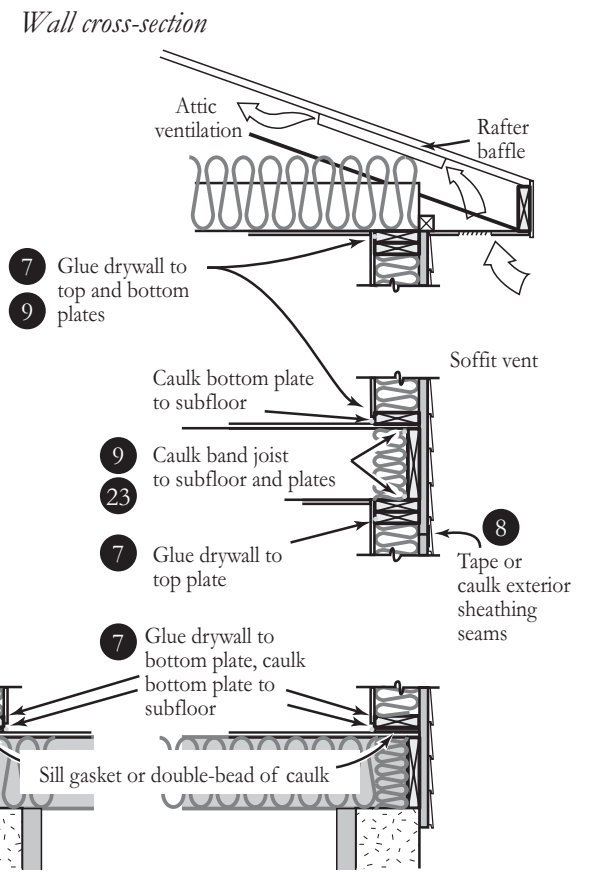
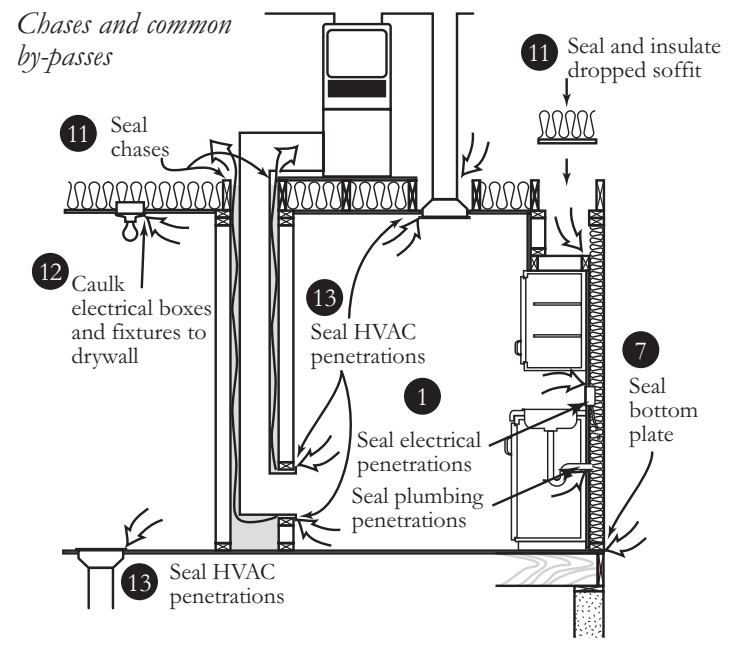
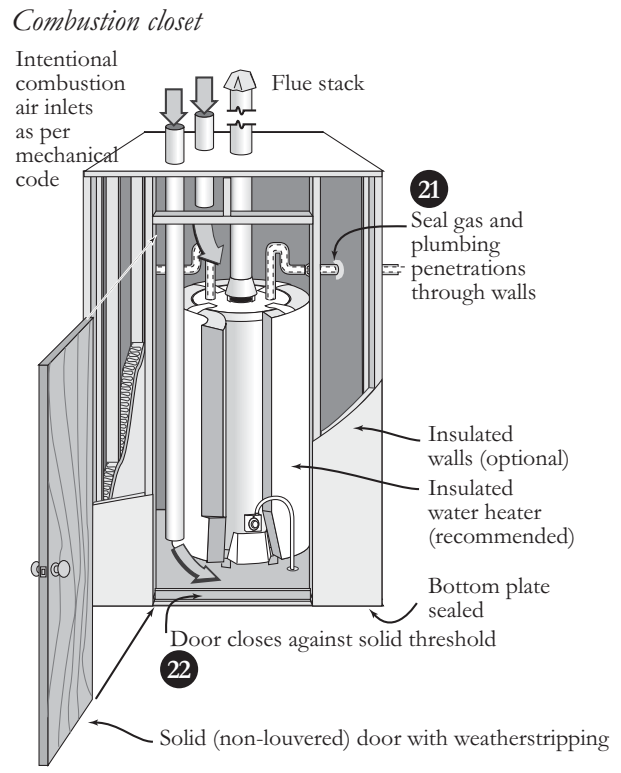
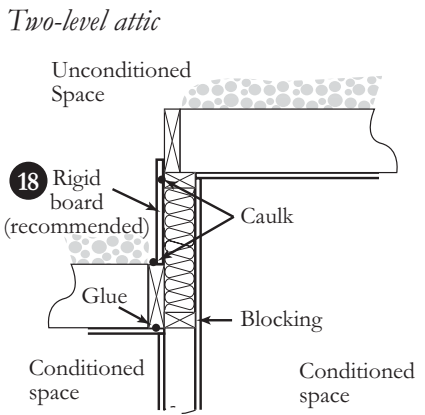
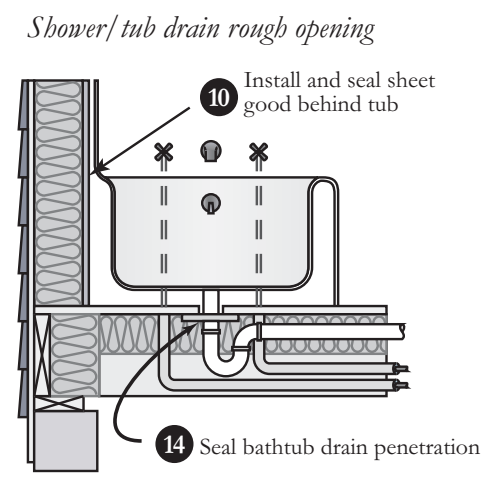
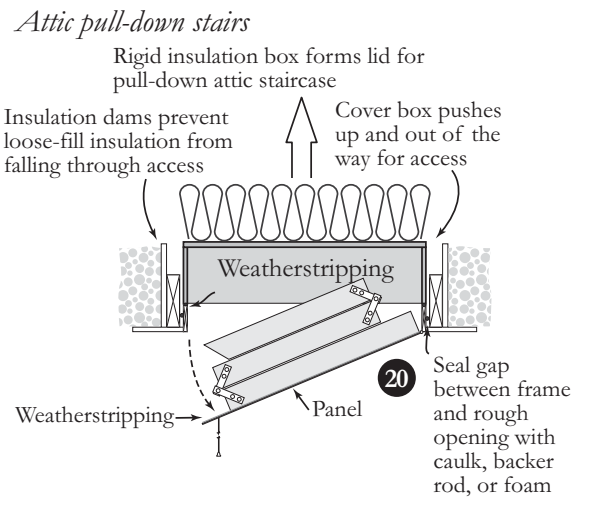
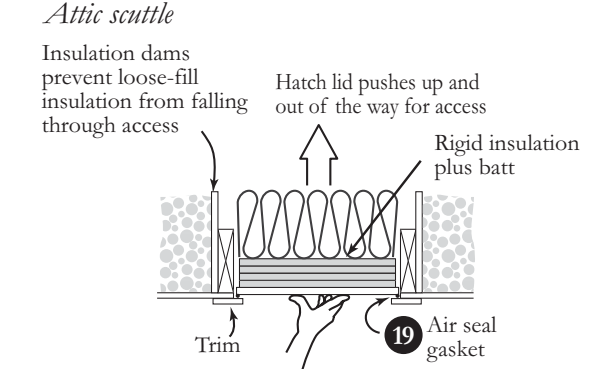
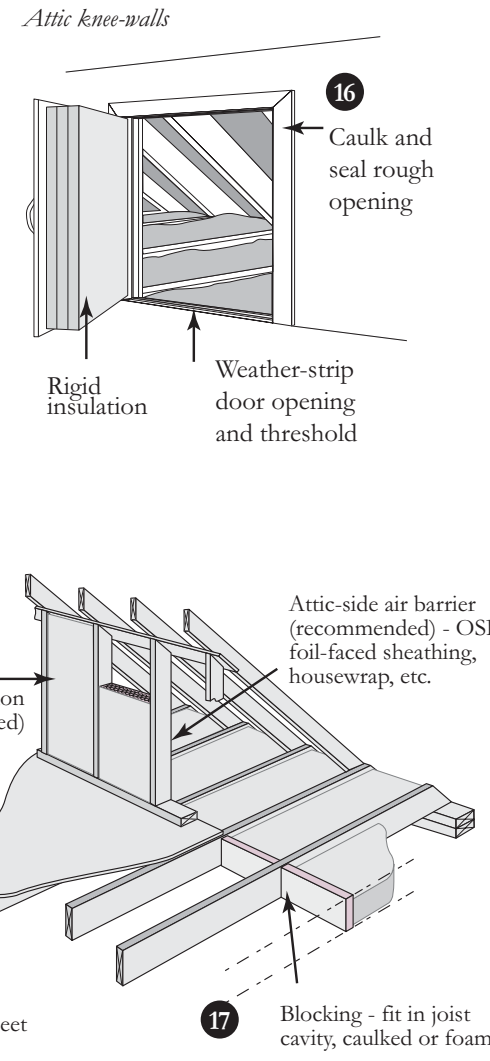
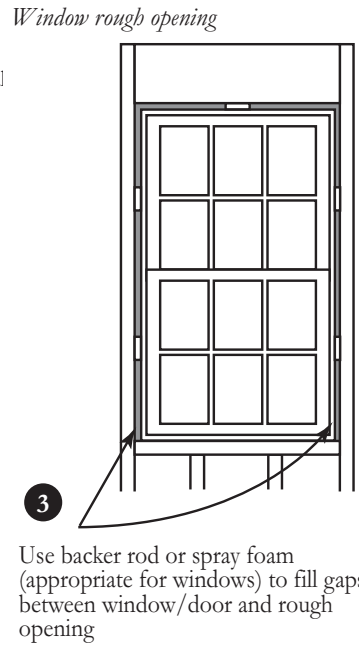
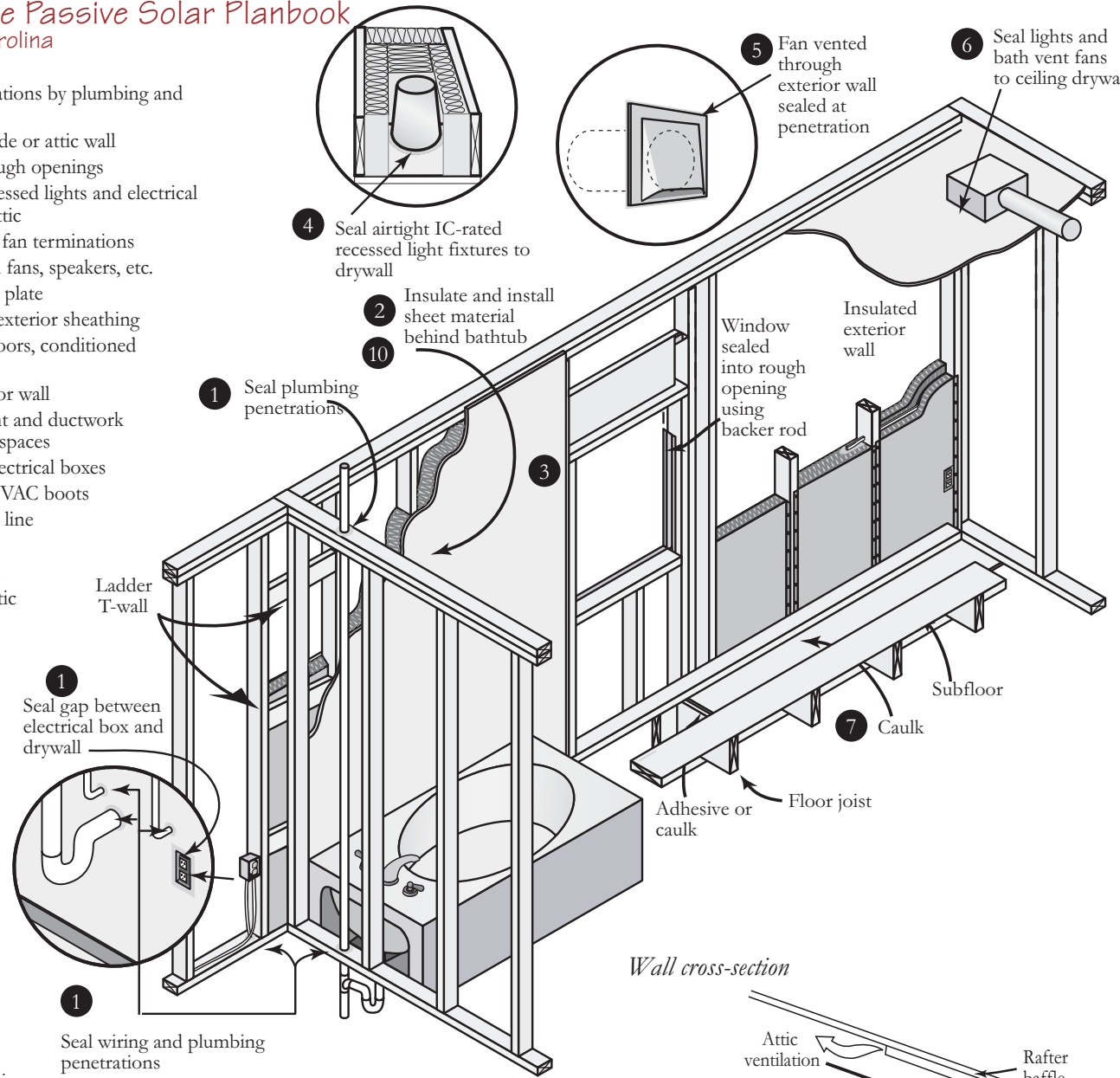


1. Plate and wall penetrations by plumbing and electrical
2. Tub/shower on outside or attic wall
3. Window and door rough openings
4. Airtight, IC-rated recessed lights and electrical fixtures exposed to attic
5. Exterior wall exhaust fan terminations
6. Ceiling mounted bath fans, speakers, etc.
7. Bottom plate and top plate
8. Seams between rigid exterior sheathing
9. Band area between floors, conditioned space and attic
10. Garden tub on exterior wall
11. Mechanical equipment and ductwork chases in attics, crawlspaces
12. Ceiling/crawlspace electrical boxes
13. Ceiling/crawlspace HVAC boots
14. Shower and tub drain line
15. Fireplace inserts
16. Attic kneewall doors
17. Joist cavities under attic kneewalls
18. Transition between ceiling heights
19. Attic scuttle hole
20. Attic pull-down stairs
21. Wall penetrations of mechanical combustion closets
22. Thresholds at mechanical combustion closet doors
23. Band joist exposed to exterior
24. Band area exposed to unconditioned space (such as basement or garage)
25. Exterior wall penetrations for refrigeration lines, condensate line, etc.



Disclaimer:
This document is intended solely to help graphically demonstrate the air leakage provisions of section 502.1.4 of the 2000 IECC. It does not cover all airsealing locations or techniques. Other code provisions may be applicable as well.